



# SPECIFICATIONS JF100e

## DESCRIPTION

A 2-way full range system (passive LF/HF crossover) in a vented trapezoidal enclosure. Includes a 10-in woofer and a 1-in exit compression driver on a Wave Guide Plate™.

## APPLICATIONS

The JF100e combines high output and natural reproduction in a compact, versatile enclosure. Effective as a nearfield main system or as a fill/delay element in very large overall systems. Features a unique top handle with integrated flytrack/3/8"-16 threaded suspension point. Comprehensive mounting options include stand mount cup. Six year warranty.

Applications include:

- Band PA
- Ballroom Events
- Corporate Events
- Small Theaters
- Live Music Clubs
- Convention Centers

## PERFORMANCE

<b>Frequency Response (Hz)</b>	
±3 db	67Hz to 18kHz
-10 dB	55Hz
<b>Axial Sensitivity (dB SPL/1 Watt/1m)</b>	
	97
<b>Impedance (Ohms)</b>	
	8
<b>Power Handling (Watts)</b>	
AES Standard	280
<b>Calculated Maximum Output (dB SPL, @ 1m)</b>	
Peak	127.5
Long Term	121.5
<b>Nominal Coverage Angle / -6 dB points (degrees)</b>	
Conical	100
<b>Recommended Complementary Systems</b>	
Sub	SB180 / SB250

## PHYSICAL

Part Number	999058
Product Group	J
LF Subsystem & Loading	1x 10-in cone, vented
HF Subsystem & Loading	1x 1-in exit compression driver on Wave Guide Plate™
System Configuration	2-way, full range
Powering Configuration(s)	Passive LF/HF crossover
Recommended High-Pass Frequency (24 dB/Octave)	50 Hz
Cabinet Type (shape)	Trapezoidal



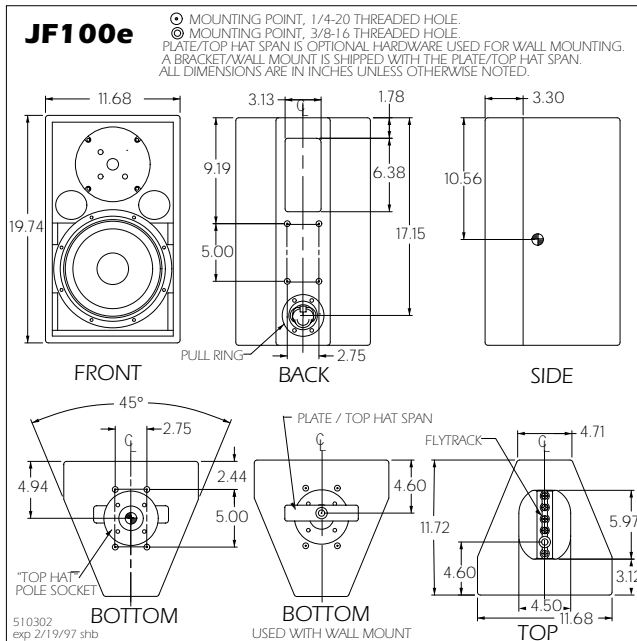
Enclosure Materials	Baltic birch plywood	
Finish	Black catalyzed polyurethane	
Connectors	2x Neutrik NL4 Speakin	
Suspension Hardware	(1) 5-Position flytrack with integral 3/8"-16 threaded mounting point (top)/(8) 1/4"-20 threaded mounting points for Omnimount Series 100 (4 back/4 bottom)/stand mount for Ultimate Brand support stand (bottom)/Kinedyne spring loaded pull-back ring (back)	
Grille	Vinyl coated perforated steel	
Options	Hardware Plate 606070 provides a 3/8-16 threaded suspension point on the bottom directly opposite the top for use with U-shaped wallmount bracket 179001 Flyclip with ring 179002 Flyclip with hook	
<b>Dimensions</b>	<b>inches</b>	<b>millimeters</b>
Height	19.75	502
Width	11.68	297
Depth	11.71	298
Back Width	4.719	120
Trapezoid Angle	22.5 degrees per side	
<b>Weights</b>	<b>pounds</b>	<b>kilograms</b>
Net Weight	50	22.8
Shipping Weight	53	24.1





# SPECIFICATIONS JF100e

## DIMENSIONAL DRAWING



## SERVICE ITEMS

<b>LF: Complete Cone Driver</b>	EAW Part No. 804021
<b>HF: Complete Compression Driver/Tweeter</b>	EAW Part No. 803002
<b>HF: Diaphragm Assembly</b>	EAW Part No. 806043
<b>Filter/Crossover Network: Complete Assembly</b>	EAW Part No. 225200

## A & E SPECIFICATIONS

The two-way full range loudspeaker systems shall incorporate a 10-in LF transducer and a 1-in exit compression driver HF transducer.

The LF driver shall be mounted in a vented enclosure tuned for optimum low frequency response. The HF driver shall be loaded on an axis-symmetrical wave guide plate with a nominal coverage pattern of 100° (conical). An internal passive filter network shall provide fourth order acoustical crossover and system equalization.

System frequency response shall vary no more than  $\pm 3$  dB from 67 Hz to 18 kHz measured on axis. The loudspeaker shall produce a Sound Pressure Level (SPL) of 97 dB SPL on axis at 1 meter with a power input of 1 Watt, and shall be capable of producing a peak output of 127.5 SPL on axis at 1 meter. The loudspeaker shall handle 280 Watts of amplifier power (AES Standard) and shall have a nominal impedance of 8 Ohms.

The loudspeaker enclosure shall be trapezoidal in shape. It shall be constructed of 1/2-in thickness void-free cross-grain-laminated Baltic birch plywood and shall employ extensive internal bracing. It shall be finished in black catalyzed polyurethane. Input connectors shall be dual Neutrik NL4 Speakon. The following mounting/suspension hardware shall be provided: one five-position flytrack with integral 3/8"-16 threaded mounting/suspension point (top); eight 1/4"-20 threaded mounting/suspension points for Omnimount Series 100 (4 back, 4 bottom); a recessed cup to accept a standmount pole (bottom); a spring loaded pull-back ring (back). The front of the loudspeaker shall be covered with a vinyl coated perforated steel grille backed with open cell foam to protect against dust.

The two-way full range loudspeaker shall be the EAW model JF100e.